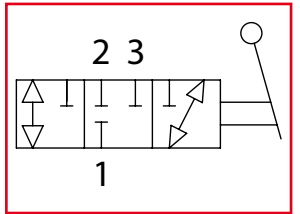




RAS3

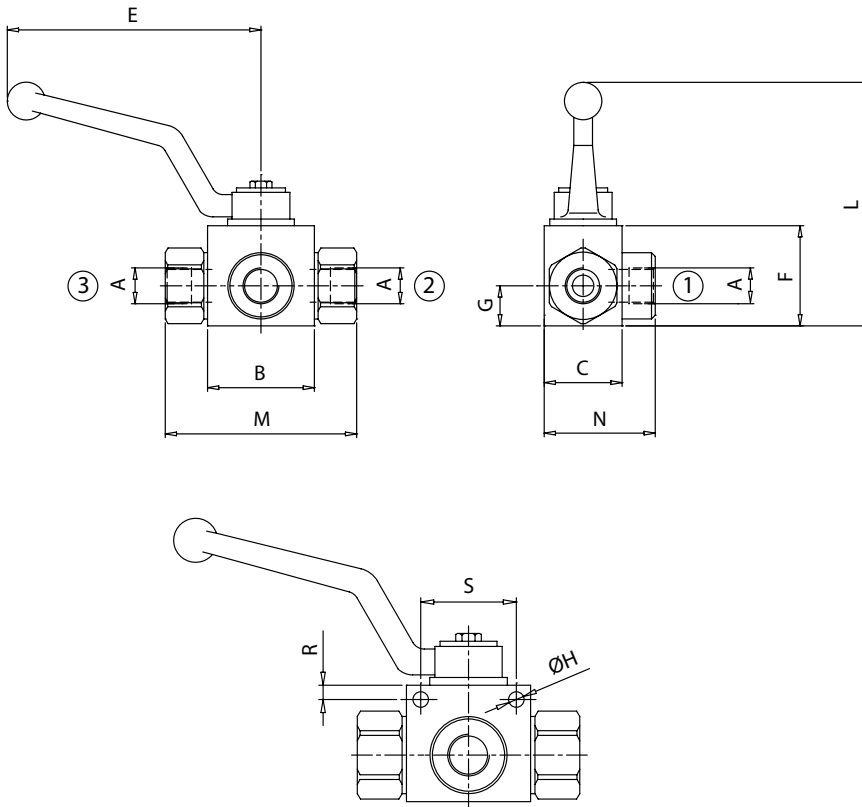
Valvole a sfera a 3 vie
3 ways ball valves



LEHENGOMAK, S.p.A.



| Dati tecnici Technical data | |
|---------------------------------------------|------------------------------------------------------------|
| Viscosità fluido Fluid viscosity | 10-500 mm ² /s 45 to 2000 ssu (6 to 420 cSt) |
| Classe di contaminazione Filtration | ISO code 16/13 SAE class 4 or better |
| Temperatura fluido Fluid temperature | -20°C +80°C -4°F +176°F |
| Temperatura ambiente Ambient temperature | -20°C +50°C -4°F +122°F |



[mm
(Inches)]

| Codice ordinazione Ordering code | | | |
|-------------------------------------|-------------------|---|-----------------------------------|
| RAS3 - X - Y | | | |
| X | Dimensione / Size | Y | Optional |
| 180 | BSPP 1/8 | P | Fori di fissaggio Fixing ports |
| 140 | BSPP 1/4 | | |
| 380 | BSPP 3/8 | | |
| 120 | BSPP 1/2 | | |
| 340 | BSPP 3/4 | | |
| 100 | BSPP 1 | | |
| 114 | BSPP 1-1/4 | | |
| 112 | BSPP 1-1/2 | | |

Caratteristiche tecniche Technical performances

| Codice Code | A | Portata Max Max flow l/min - USgpm | Pressione Max Max pressure bar/PSI | B | C | E | F | G | H | L | M | N | R | S | Peso approssimativo Approx weight Kg / lb |
|-------------|------------|------------------------------------------|------------------------------------------|-------------|-----------|------------|-----------|-------------|------------|--------------|------------|-------------|------------|-----------|-------------------------------------------------|
| RAS3180 | BSPP 1/8 | 15 (4) | 400 (5800) | 42 (1.65) | 30 (1.18) | 110 (4.33) | 35 (1.38) | 14,5 (0.57) | 5,2 (0.20) | 91,5 (3.60) | 71 (2.80) | 48,5 (1.90) | 4,5 (0.18) | 34 (1.34) | 0,6 (1.3) |
| RAS3140 | BSPP 1/4 | 25 (6.5) | | 44 (1.73) | 35 (1.38) | | 40 (1.57) | 17,5 (0.69) | | 96,5 (3.80) | 73 (2.87) | 54,5 (2.14) | 5 (0.20) | 36 (1.42) | 0,7 (1.5) |
| RAS3380 | BSPP 3/8 | 35 (9) | | 48 (1.89) | 37 (1.46) | | 43 (1.69) | 18 (0.71) | | 99,5 (3.91) | 83 (3.27) | 58,5 (2.30) | | | 0,8 (1.8) |
| RAS3120 | BSPP 1/2 | 60 (15) | 350 (5000) | 62,5 (2.46) | 45 (1.77) | 180 (7.08) | 55 (2.16) | 23,5 (0.93) | 6,2 (0.24) | 106,5 (4.19) | 95 (3.74) | 75 (2.95) | 6 (0.24) | 50 (1.97) | 1,6 (3.5) |
| RAS3340 | BSPP 3/4 | 100 (25) | | 66,5 (2.62) | 55 (2.16) | | 65 (2.56) | 29,5 (1.16) | | 116,5 (4.59) | 120 (4.72) | 87,5 (3.15) | | | 2,6 (5.7) |
| RAS3100 | BSPP 1 | 150 (40) | | | | | | | | | | | | | 124 (4.88) |
| RAS3114 | BSPP 1-1/4 | | | | | | | | | | | | | | |
| RAS3112 | BSPP 1-1/2 | | | | | | | | | | | | | | |